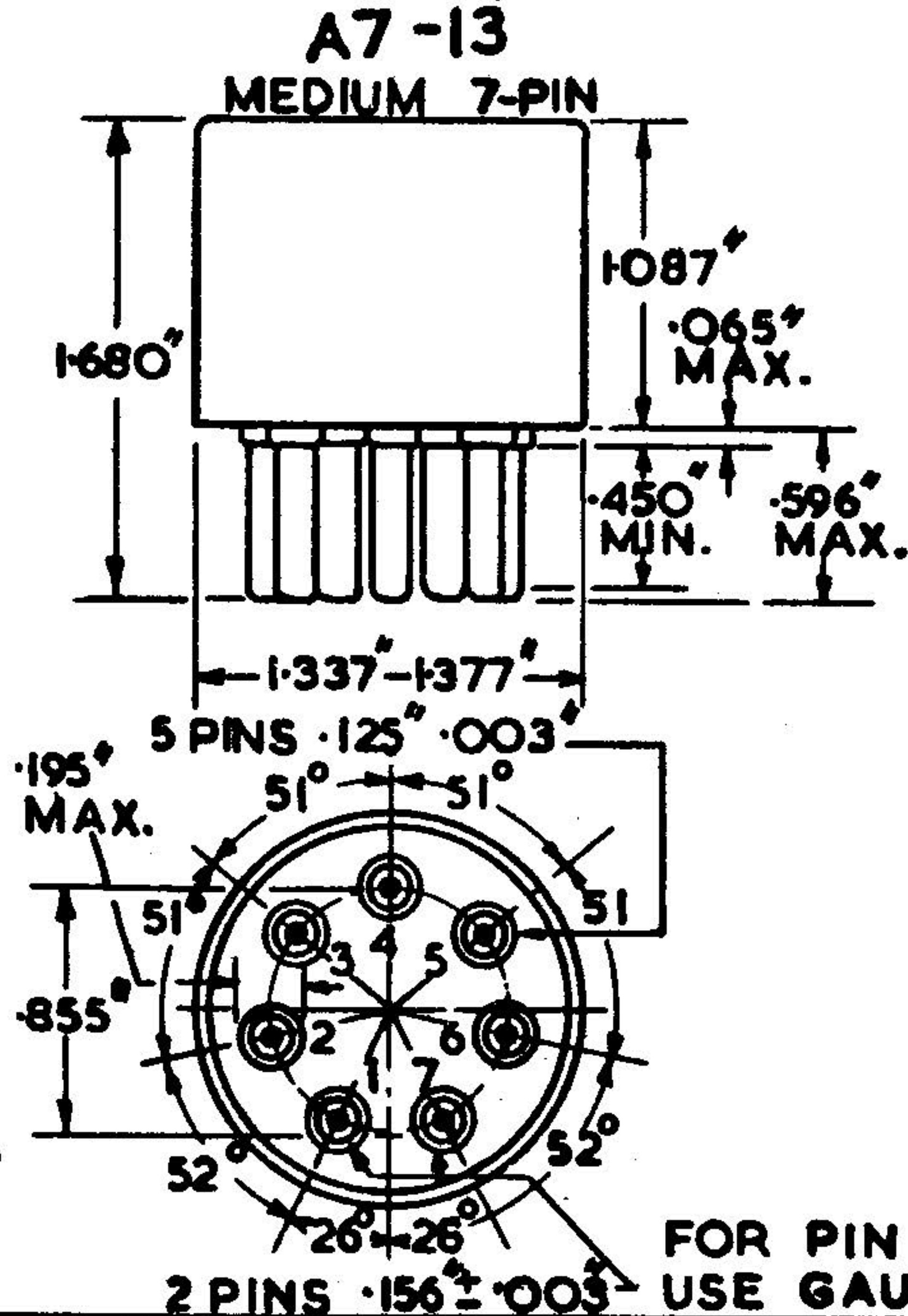
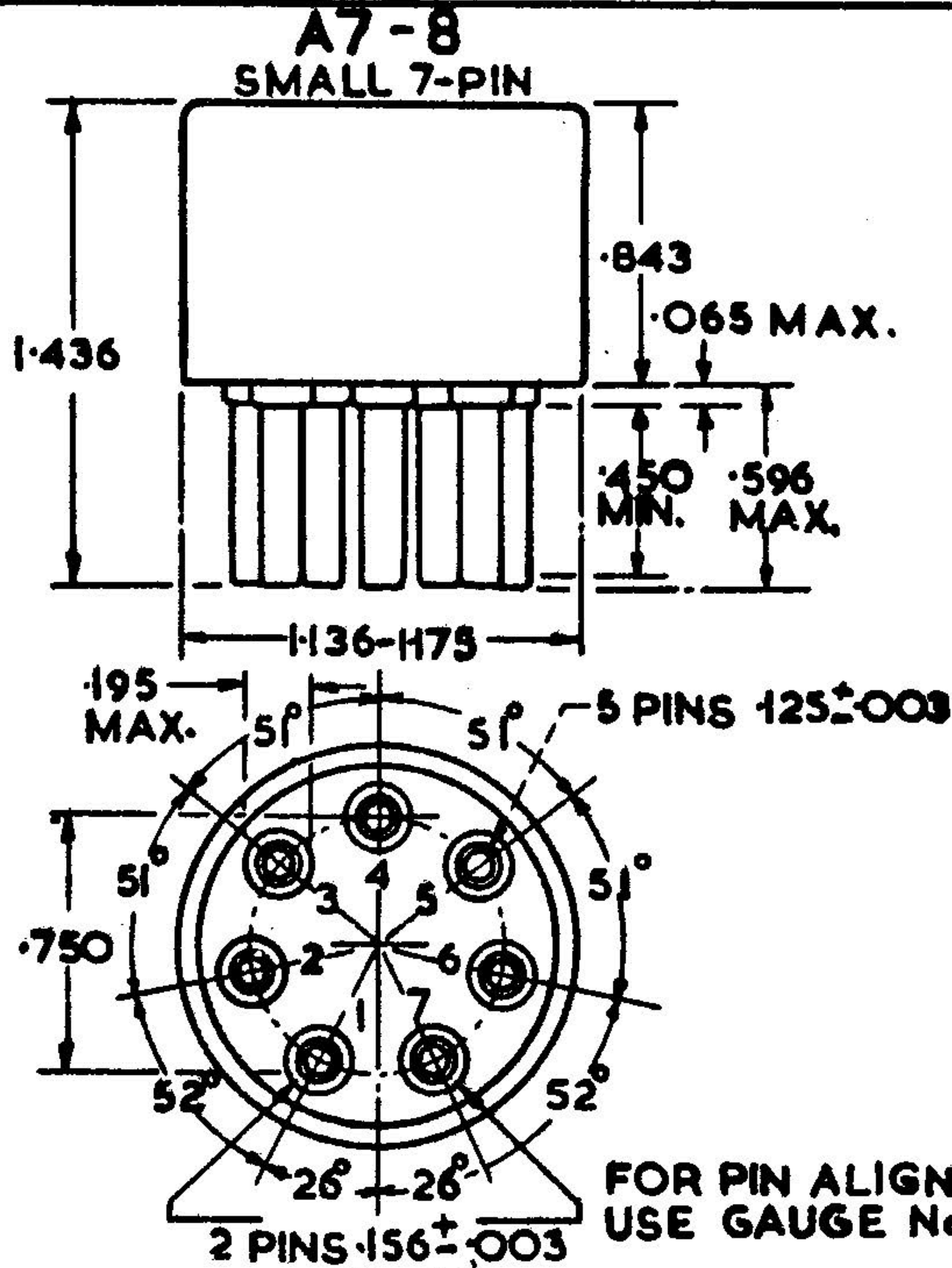


DRAWING No. 52

DRAWINGS FOR AMERICAN A7-8 & A7-13
MANDATORY



FOR DETAILS OF GAUGES
SEE RETMA STANDARD
ET-106-C OF JUNE 1955.

EXTRACTED FROM RETMA
STANDARD ET-103-D
OF MARCH 1955