

COSSOR

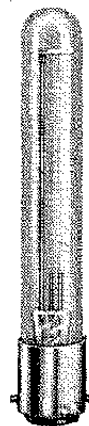
Neon Tuning Indicators

Catalogue Nos. 3180 and 3184

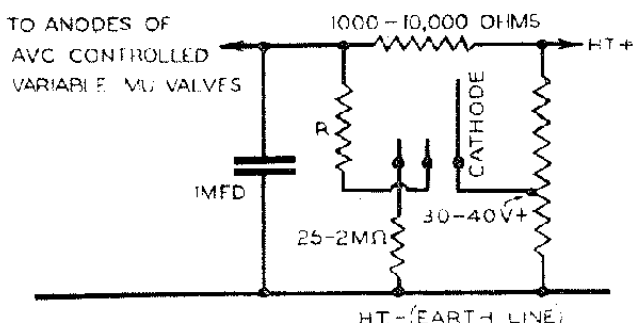
The Cossor 3-electrode Neon Tuning Indicator consists of three electrodes—two short and the other long—in an atmosphere of neon.

It may be used in an A.V.C. receiver, where it gives, in the form of a glow spreading up the cathode (long electrode), a visual indication of the correct tuning point, which point is indicated by the maximum height and intensity of the glow.

It is actuated by the rise and fall of the anode currents of A.V.C. controlled variable-mu



The Cossor Neon Tuning Indicator Type 3180.



valves. In use, a steady voltage of 145-160 is required to maintain the striking of the tube, and this will rise when the receiver is correctly tuned.

COSSOR NEON TUBE

VOLTAGE STABILIZER. S.130

The S.130 is a 2-electrode gas-filled tube, adjusted so that a voltage placed across the electrodes causes a discharge through the gas.

It is designed to be placed across the output of any eliminator capable of an output of approximately 130 volts that is required to provide a voltage that does not change appreciably when the current drawn is varied within wide limits. Its chief application is to stabilize the voltage from an eliminator used with a receiver employing a Cossor Class B Output Valve or a Quiescent Push-Pull Output Stage, as both these systems draw an anode current varying widely with the loudness of received signals.