

LITE-PACS

PART NUMBER	FIG.	OUTLINE DIMENSIONS										ELECTRICAL INPUTS		COMMENTS
		A		B		C		D		E		VOLTAGE (V)	CAPACITANCE (μ F)	
		INCH	(MM)	INCH	(mm)	INCH	(MM)	INCH	(MM)	INCH	(MM)			
FY-505	4	1.125	(28.6)	1.355	(34.4)	0.090	(2.3)	1.675	(42.5)	0.937	(23.8)	130	0.2	All std. 9 pin, 8 mm arc bulbs
FYD-505	4	1.125	(28.6)	1.355	(34.4)	0.090	(2.3)	2.060	(52.3)	0.937	(23.8)	130	0.2	All std. 9 pin, 8 mm arc bulbs
FY-506	4	1.125	(28.6)	1.355	(34.4)	0.090	(2.3)	1.675	(42.5)	0.937	(23.8)	130	0.2	All std. 9 pin, 3 mm arc bulbs
FYD-506	4	1.125	(28.6)	1.355	(34.4)	0.090	(2.3)	2.060	(52.3)	0.937	(23.8)	130	0.2	All std. 9 pin, 3 mm arc bulbs
FY-507	4	1.125	(28.6)	1.355	(34.4)	0.090	(2.3)	1.675	(42.5)	0.937	(23.8)	130	0.2	All std. 9 pin, 1.5 mm arc bulbs
FYD-507	4	1.125	(28.6)	1.355	(34.4)	0.090	(2.3)	2.060	(52.3)	0.937	(23.8)	130	0.2	All std. 9 pin, 1.5 mm arc bulbs
FY-602	5	1.312	(33.3)	1.685	(42.8)	0.130	(3.3)	1.920	(48.8)	1.125	(28.6)	130	0.2	All std. 12 pin, 8 mm arc bulbs
FYD-602	5	1.312	(33.3)	1.685	(42.8)	0.130	(3.3)	1.920	(48.8)	1.125	(28.6)	130	0.2	All std. 12 pin, 8 mm arc bulbs
FY-604	5	1.312	(33.3)	1.685	(42.8)	0.130	(3.3)	1.920	(48.8)	1.125	(28.6)	130	0.2	All std. 12 pin, 3 mm arc bulbs
FYD-604	5	1.312	(33.3)	1.685	(42.8)	0.130	(3.3)	1.920	(48.8)	1.125	(28.6)	130	0.2	All std. 12 pin, 3 mm arc bulbs
FY-712	6							2.125	(77.8)	1.125	(28.6)	170	0.5	For FX-249
FY-714	6							3.062	(54.0)	1.125	(28.6)	170	0.5	For FX-193
FY-900	8	4.250	(108.0)	4.75	(120.7)	1.075	(27.3)	0.625	(15.9)	3.520	(89.4)	170	0.5	For FXP-850 through FXP-855
FY-901	8	6.000	(152.4)	6.50	(165.1)	1.950	(49.5)	0.815	(20.7)	4.380	(111.3)	170	0.5	For FXP-856, 857, 858, 864
FY-904	7	1.312	(33.3)	1.625	(41.3)	0.125	(3.2)	2.750	(69.9)	1.125	(28.6)	130	0.2	For FX-800, 801, 802

NOTE: Lite-Pacs prefixed "FYD" and all FY-900 Series, diode "CR" from flash circuit (page 3) is integral to Lite-Pac.

FYD-500 SERIES

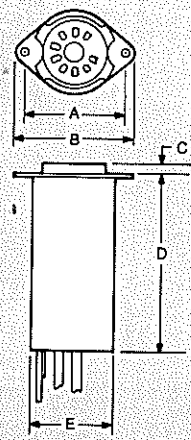


FIGURE 4

FY-600 SERIES

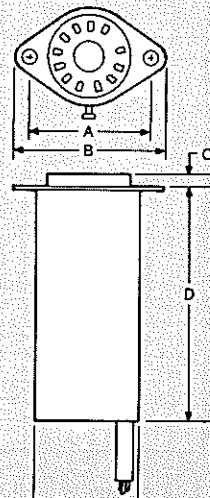


FIGURE 5

FY-700 SERIES

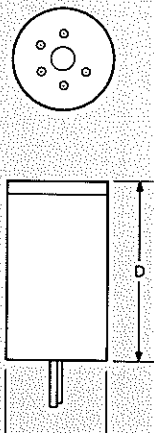


FIGURE 6

FY-904 SERIES

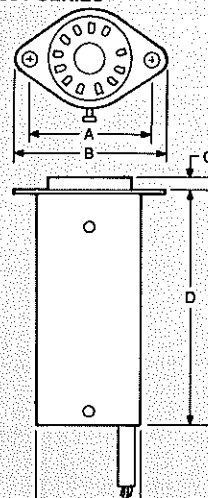


FIGURE 7

FY-900 ILLUSTRATED

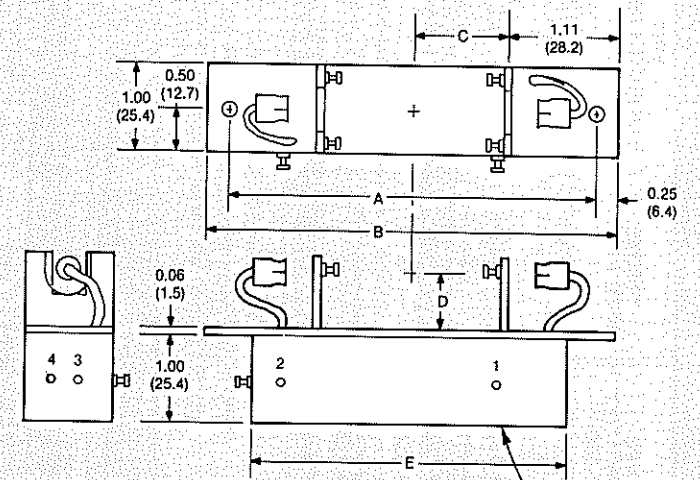


FIGURE 8

TERMINALS FOR FY-901 OF THIS SURFACE