

EDISWAN

EHA.5000

FORCED AIR COOLED TRIODEGENERAL

The EHA.5000 is a three electrode valve designed for use as a Radio Frequency Amplifier or Oscillator. The anode is fitted with a special radiator and cooling is obtained by forced air. The design minimises lead inductance and this valve is particularly suitable for use in R.F. heating equipments. It is the direct equivalent of the American type 889R.

RATING

Filament Voltage (volts)	V_f	11.0
Filament Current (amps)	I_f	125
Maximum Anode Voltage (volts)	$V_a(\text{max})$	8,500
Maximum Filament Emission (amps)	F_{em}	11.0
Maximum Anode Dissipation (kW)	$W_a(\text{max})$	5.0
Mutual Conductance (mA/V)	g_m	† 10
Amplification Factor	μ	† 20
Anode Impedance (ohms)	Z_a	† 2,000
Maximum Operating Frequency at full rating		‡ 25 Mc/s

† Taken at $V_a = 5,000\text{v}$; $I_a = 1,000\text{mA}$.

‡ At higher frequencies the maximum permissible anode voltages and inputs must be reduced.

INTER-ELECTRODE CAPACITANCES

Anode/Grid (μF)	c_{a-g1}	20.7
Anode/Filament (μF)	c_{a-f}	2.5
Grid/Filament (μF)	$g1-f$	19.5

AIR FLOW (MAIN)

500 cubic feet per minute. In addition, 15 cubic feet per minute should be directed on to the seals.

DIMENSIONS

Maximum Overall Length (mm)	298.5
Maximum Diameter (mm)	192.0
Approximate Nett Weight (lbs)	34.0
Approximate Packed Weight (lbs)	72.0

MOUNTING POSITION - Vertical

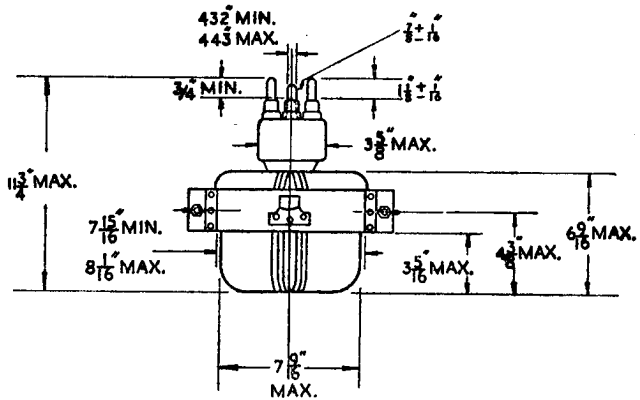
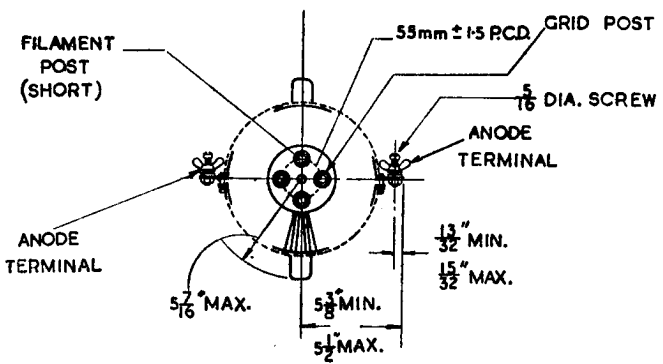
EHA.5000

EDISWAN

EHA.5000

FORCED AIR COOLED TRIODE

EHA.5000



LIFTING HANDLES IN LINE WITH FIL. PINS

ALL DIMS IN ins UNLESS STATED OTHERWISE