

ADMIRALTY SIGNAL ESTABLISHMENT

Specification AD/CV86/Issue 2. Dated 7.3.47. To be read in conjunction with K1001.	<u>SECURITY</u>	
	<u>Specn.</u> Restricted	<u>Valve</u> Unclassified

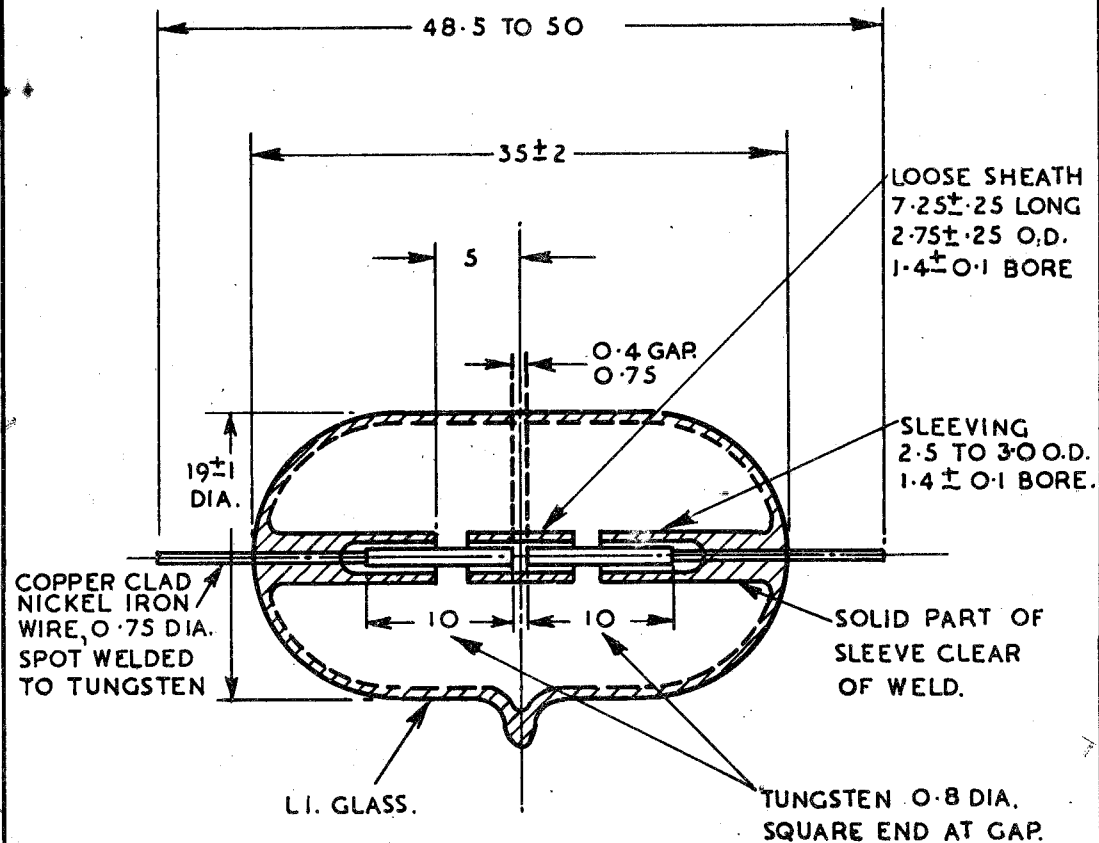
<u>TYPE OF VALVE:-</u> Gas filled spark gap. <u>PROTOTYPE:-</u> Original VI507 before ceramic sheath was adopted.		<u>MARKING</u> See K1001/4.
<u>RATING</u>		<u>CONNECTIONS AND DIMENSIONS.</u> See Fig. 1.
Max. Striking Voltage (V)	650	<u>PACKING</u> See K1001/7.
<u>CONSTRUCTIONAL NOTES.</u>		
<u>Glass Envelope:-</u>	Lead glass throughout.	
<u>Sleeving and Open Sheath:- :-</u>	Lead (L1) glass.	
<u>Gas Filling:-</u>	Argon 380 mm. + 20 mm. plus approx. 5 mg. mercury.	
<u>Electrodes:-</u>	Tungsten welded to lead wires. The ends must be cut square.	
<u>Lead Wires:-</u>	Copper-clad nickel-iron.	

TESTS

To be performed in addition to those applicable in K1001.

	Test Conditions	Test	Limits		No. Tested
			Min.	Max.	
a	After 2 weeks' shelf test, increase the applied D.C. voltage until spark occurs.	Striking Voltage (V)	-	650	100%

CV86/2/1.



ALL DIMENSIONS IN MMS.