

EITEL-McCULLOUGH, INC.
SAN CARLOS, CALIFORNIA

8241
3W5000F1

LOW-MU
WATER-COOLED
TRIODE

The Eimac 8241/3W5000F1 is a low-mu water-cooled power triode intended for use as an audio amplifier or modulator. The maximum rated plate dissipation is 5000 watts.

Two 3W5000F1's in class-AB₁ audio service will deliver more than 10 kilowatts maximum-signal plate output power at 6000 plate volts without drawing grid current.

The 3W5000F1 is provided with "flying leads" for simplifying filament and grid connections.



GENERAL CHARACTERISTICS

ELECTRICAL

Filament: Thoriated Tungsten	Min.	Nom.	Max.	
Voltage - - - - -	-	7.5		volts
Current - - - - -	49		54	amperes
Amplification Factor - - - - -	4.4		5.6	
Direct Interelectrode Capacitances (Average)				
Grid-Plate - - - - -		17		uufd
Grid-Filament - - - - -		29		uufd
Plate-Filament - - - - -		2.5		uufd
Transconductance (I _b = 1.0 amp., E _b = 3000 V) - - - - -	-	11,000		umhos
Maximum Frequency - - - - -			30	Mc

MECHANICAL

Base - - - - -	See outline drawing
Mounting Position - - - - -	Vertical, base down or up
Cooling - - - - -	Forced air
Maximum Temperatures:	
Grid and Filament Seals - - - - -	175° C
Anode Cooler Core - - - - -	250° C
Maximum Diameter - - - - -	3.63 inches
Net Weight - - - - -	4.8 pounds
Shipping Weight - - - - -	15 pounds

AUDIO FREQUENCY POWER AMPLIFIER OR MODULATOR

TYPICAL OPERATION (Sinusoidal wave, two tubes) (Class AB₁)

Class-AB₁

MAXIMUM RATINGS (Per tube)

DC PLATE VOLTAGE	6000 MAX.	VOLTS
DC PLATE CURRENT	2.5 MAX.	AMPERES
PLATE DISSIPATION	3000 MAX.	WATTS
GRID DISSIPATION	50 MAX.	WATTS

DC Plate Voltage - - - - -	4000	5000	6000	volts
DC Grid Voltage (Approx)* - - - - -	-860	-1080	-1300	volts
Zero-Signal DC Plate Current - - - - -	500	400	335	mA
Max-Signal DC Plate Current - - - - -	3.00	2.80	2.65	amps
Effective Load. Plate-to-Plate - - - - -	2160	3320	4560	ohms
Peak AF Grid Input Voltage (per tube) - - - - -	760	995	1250	volts
Max-Signal Driving Power - - - - -	0	0	0	watts
Max-Signal Plate Input Power - - - - -	12,000	14,000	16,000	watts
Max-Signal Plate Dissipation (per tube) - - - - -	3000	3000	3000	watts
Max-Signal Plate Output Power - - - - -	6000	8000	10,000	watts
Total Harmonic Distortion** - - - - -	1.8	2.6	2.1	percent

*Adjust to stated Zero-Signal DC Plate Current. Can be expected to vary ±15%. Effective grid-circuit resistance must not exceed 200,000 ohms.

**At maximum signal without negative feedback.



APPLICATION

MECHANICAL

Mounting: The 3W5000F1 must be mounted vertically with its base up or down at the convenience of the designer. The base is fitted with heavy filament leads to facilitate connections. These leads should be arranged to prevent mechanical stress on the filament structure. The grid is also fitted with a flying lead.

The tube must be protected from severe shock and vibration during shipment and operation.

Cooling: Sufficient cooling must be provided to maintain seal and anode core temperature at 175° C or below. Cooling must be started when filament power is applied and it is advisable to continue for two minutes after all voltages are removed.

The table below lists minimum water-flow requirements to maintain tube temperatures below 175°C for various water-inlet temperatures. The water outlet temperature must not exceed 70° C and inlet water pressure must be less than 60 pounds per square inch. A separate air-flow supply of approximately six cubic feet per minute, directed into the filament structure is also required to maintain rated filament seal temperatures. This is best accomplished using a small diameter insulating tubing directed into the stem, between the filament seals.

MINIMUM WATER COOLING REQUIREMENTS								
Water Inlet Temp. (°C)	Plate Dissipation							
	2 KW		3 KW		4 KW		5 KW	
	Flow Rate GPM	Pressure Drop PSI	Flow Rate GPM	Pressure Drop PSI	Flow Rate GPM	Pressure Drop PSI	Flow Rate GPM	Pressure Drop PSI
20	1.7	0.68	2.6	1.3	3.9	2.3	5.6	3.9
30	2.3	1.1	3.2	1.7	4.5	2.8	6.2	4.5
40	3.0	1.6	3.8	2.2	5.3	3.5	6.9	5.3
50	3.9	2.3	4.7	3.0	6.0	4.3	7.7	6.1

Note:

An extra 425 watts have been added to these plate dissipation figures in preparing this tabulation, to compensate for grid and filament dissipation.

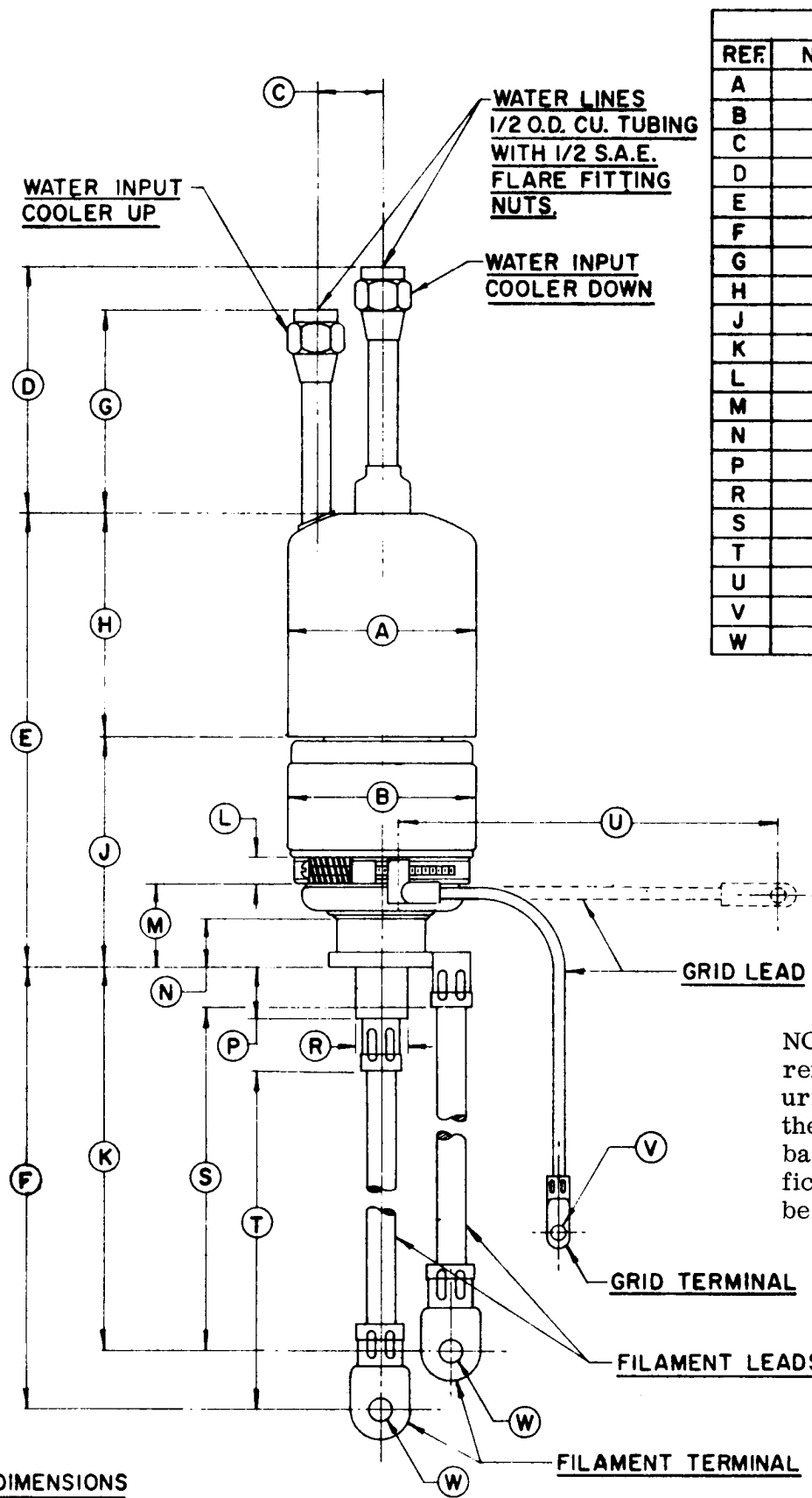
For operation at high altitudes or higher ambient temperatures, these quantities should be increased. In all cases it is suggested that actual temperatures be measured to insure adequate cooling.

ELECTRICAL

Filament: The rated filament voltage for the 3W5000F1 is 7.5 volts and should not exceed this value by more than five percent if maximum tube life is to be realized. Reduction of filament voltage to about 7.2 volts will actually enhance tube life and provision should be made for this adjustment where the lower emission can be tolerated.

Grid Operation: The grid dissipation rating of the 3W5000F1 is 50 watts. This is the product of the peak positive grid voltage and average dc grid current. When tubes are used in parallel in amplifier or modulator service, provision should be made for individual adjustment of bias voltage, in order to match the tubes. In practice, individual adjustment of drive voltage will not be necessary.

Special Applications: If it is desired to operate the tube under conditions widely different from those given here, write to Power Grid Tube Marketing, Eitel-McCullough, Inc., 301 Industrial Way, San Carlos, California, for information and recommendations.



DIMENSION DATA			
REF.	NOM.	MIN.	MAX.
A		3.234	3.266
B			3.625
C		1.062	1.187
D		4.000	4.500
E		7.562	8.062
F		8.937	9.437
G		3.250	3.750
H		3.625	3.875
J		3.937	4.187
K		7.937	8.437
L		.375	.437
M		1.437	1.562
N		.812	.937
P		.812	.937
R		.859	.890
S		7.000	7.500
T		7.000	7.500
U		6.375	6.625
V		.194	.200
W		.385	.395

NOTE: These dimensions reflect standard manufacturing tolerances. Where they are to be made the basis of purchase specifications, they should first be checked with the factory.

ALL DIMENSIONS IN INCHES

(TENTATIVE)



3W5000F1

