

OUTPUT PENTODE

EL36

Output pentode for use in radar scanning and pulse modulator applications.

HEATER

Vh	6.3	V
Ih	1.27	A

CAPACITANCES

cout	7.7	PF
cin	17.5	PF
ca-g1	< 1.1	PF

CHARACTERISTICS

Va	500	V
Vg2	100	V
Vg1	-7.7	V
Ia	10	mA
Ig2	1.0	mA
gm	14	mA/V
ra	5.3	KΩ
μg1-g2	6	

OPERATING CONDITIONS AS A PULSE MODULATOR

tp	1	μs
Duty cycle	0.001	
Vb	4.5	kV
Es	20	KΩ
Vg2	450	V
-Vg1	200	V
vg1(pk)	250	V
Ia	4.5	mA
ia(pk)	3.0	A
Ig2 (approx.)	100	μA
Ig1 (approx.)	100	μA

LIMITING VALUES

Scanning applications.

Va(b) max.	550	V
va(pk) max.	7.0	kV
-va(pk) max.	1.5	kV
Va max.	250	V
Vg2(b) max.	550	V
Vg2 max.	250	V
-vg1(pk) max.	1.0	kV
ps max.	10	W
pg2 max.	5.0	W
μg2 max.	13	W
Ia max.	200	mA
Ig1 max.	500	KΩ
Vh max.	200	V

Issue 1
6.56

Issued by **MULLARD LIMITED**
Data and Publications Section, T.S.D.



ADVANCE DATA

EL36

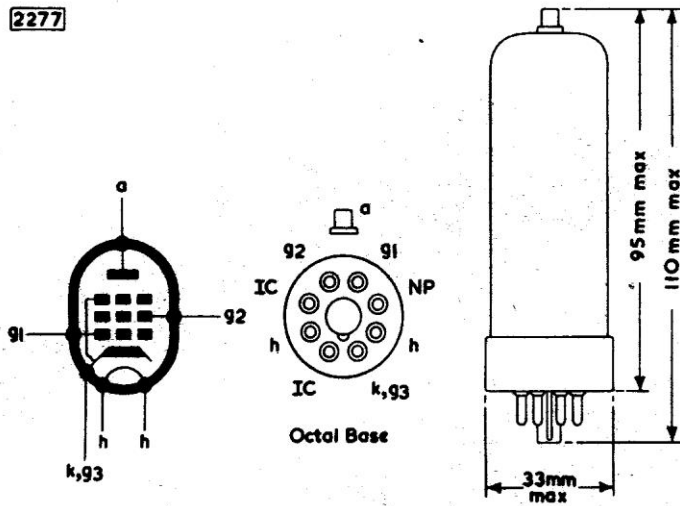
OUTPUT PENTODE

Radar applications.

V_a max. (absolute)	4.5	kV
$i_{a(pk)}$ max. (absolute)	3.5	A
V_{g2} max.	550	V
$-V_{g1}$ max.	300	V

*Max. pulse duration $1\mu s$, duty cycle 0.001.

2277



Issued by **MULLARD LIMITED**,
Data and Publications Section, T.S.D.