

SYLVANIA #102
 6Y7G 1/5/39

Hygrade Sylvania CORPORATION

TECHNICAL DATA

SYLVANIA TYPE 6Y7G

Complete Class B Amplifier

CHARACTERISTICS

Heater Voltage AC or DC	6.3	Volts
Heater Current	0.6	Ampere

OPERATING CONDITIONS AND CHARACTERISTICS

Heater Voltage	6.3	6.3	Volts
Plate Voltage	180	250	Volts
Grid Voltage	0	0	Volts
Plate Current (no signal)	7.5	10.5	Ma.
Load Resistance (plate to plate)	7000	14000	Ohms
Power Output *	5.5	8.0	Watts

All characteristics shown are for two triodes operating in "Class B" service.

All plate currents are sum of currents flowing to each plate.

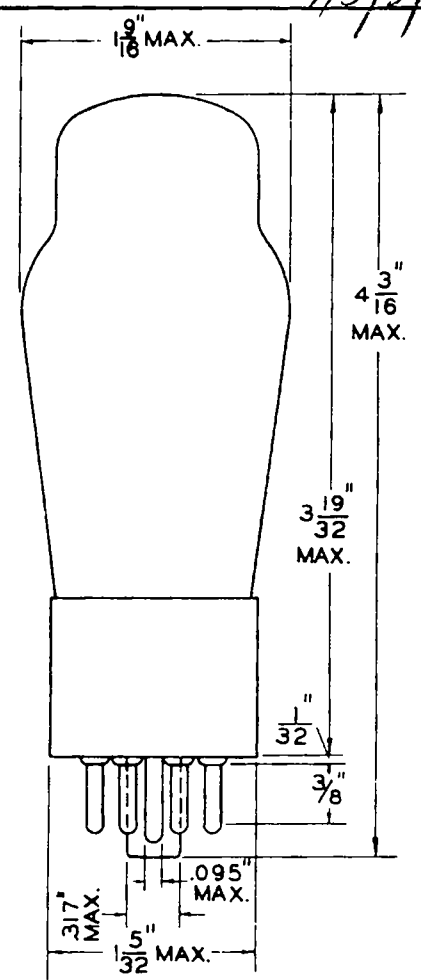
* Average Power Input - 380 Mw. grid to grid.

CIRCUIT APPLICATION

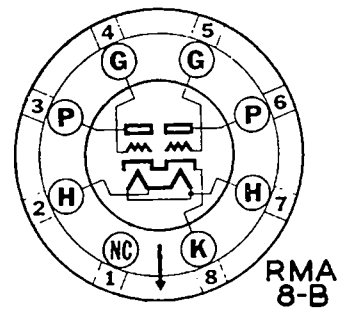
Sylvania Type 6Y7G is a highly efficient complete Class B power amplifier tube having ratings and characteristics identical to those of Type 79. The tube is equipped with an octal base.

Type 6Y7G may also be employed as a combination voltage amplifier and phase inverter. It is applicable only to Class A output systems.

When used as a cascade amplifier each section of the 6Y7G is operated as a separate triode. Due to the high values of amplification factor and plate resistance, the sections are well suited to resistance coupling. An overall voltage gain of 1000 is easily obtainable. With such high gain considerable care is necessary in the choice of circuit constants in order to reduce hum and noise.



TUBE AND BASE DIAGRAM (BOTTOM VIEW)



RMA 8-B