



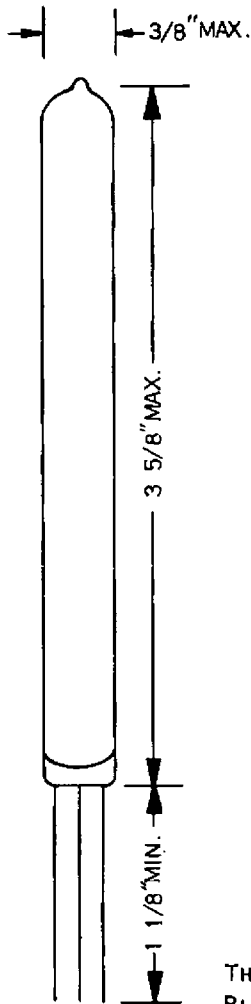
THE VICTOREEN INSTRUMENT CO.

5806 HOUGH AVE., CLEVELAND, OHIO

SEPTEMBER 1949

DATA SHEET 17

TENTATIVE

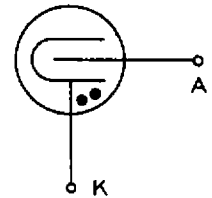


1B86 THYRODE

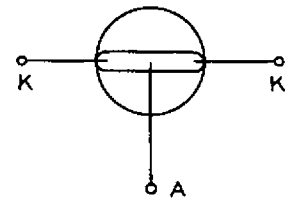
The 1B86 thyrode is a small, self-quenched, glass counter tube for gamma radiation. Low operating voltage provides economic battery operation in uranium prospecting instruments and pocket detectors. The long active length provides output pulses comparable to those from larger tubes.

The 1B86 is sensitive to very high energy beta rays, to all gamma rays, and to cosmic rays. It is not sensitive to ultra violet or visible light.

The 1B86 may be mounted in any position. It is usually clamped around the diameter with the leads soldered to a terminal board. Sockets designed for flat press subminiature tubes may be used where desirable.



SYMBOL



BASE VIEW

CHARACTERISTICS

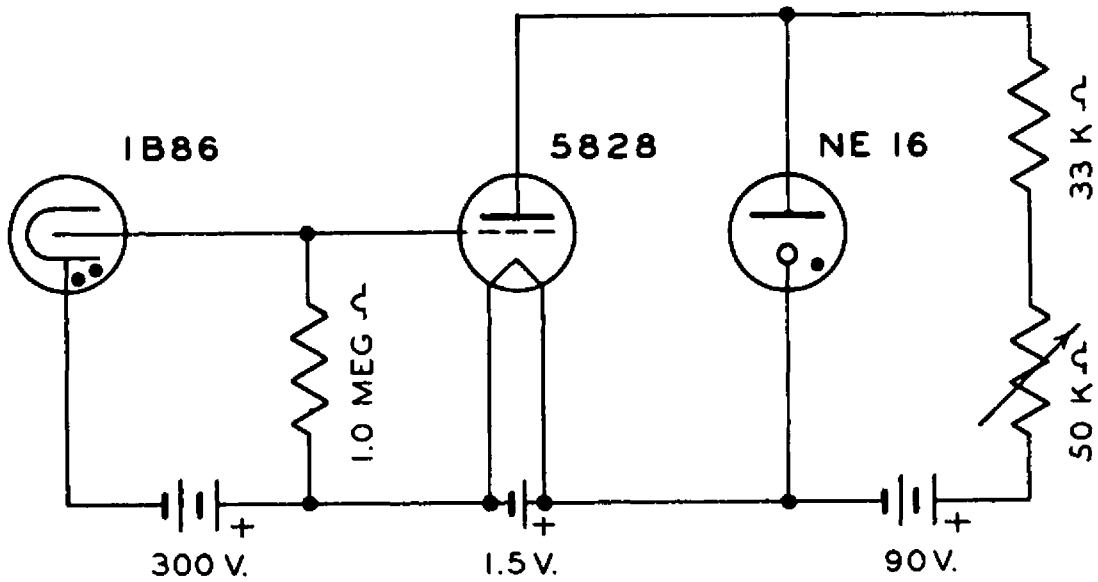
| | | |
|--|-------------------|--------------------|
| THRESHOLD VOLTAGE* | 275 | VOLTS |
| PLATEAU LENGTH* | (MIN.) 50 | VOLTS |
| PLATEAU SLOPE* | 30 %/50 | VOLTS |
| RECOVERY TIME | 100 | μSEC |
| BACKGROUND... (V ₀ = 300V.) | 30 | C/M |
| LIFE TEST END POINT; SLOPE | 30 %/25 | VOLTS |
| LIFE | 5x10 ⁷ | COUNTS |
| ELECTRODE CAPACITANCE | 1 | μμF |
| ANODE ACTIVE LENGTH | 2.5 | INCHES |
| WALL THICKNESS | 200 | MG/CM ² |

RATINGS

| | | |
|---------------------|------------|-------|
| OPERATING VOLTAGE | 300 | VOLTS |
| AMBIENT TEMPERATURE | (MIN) -40° | C |
| | (MAX) 100° | C |
| HUMIDITY | (MAX) 100 | % |

*NEW TUBE

TYPICAL CIRCUIT



TUBE CHARACTERISTICS

