

TECHNICAL DATA

1B59

Sylvania

T E N T A T I V E

TYPE 1B59

Glow Modulator

PHYSICAL SPECIFICATIONS

Cathode: Cold
Base: Intermediate Shell
Octal, 2-Pin
Bulb: T-9, Coated, with
clear top
Diameter: 1 5/16" Max.
Overall Length: 3 1/4" Max.
Seated Height: 2 21/32" Max.
Mounting Position: Any

BASE PIN CONNECTIONS

Pin 3 - Cathode
Pin 7 - Anode

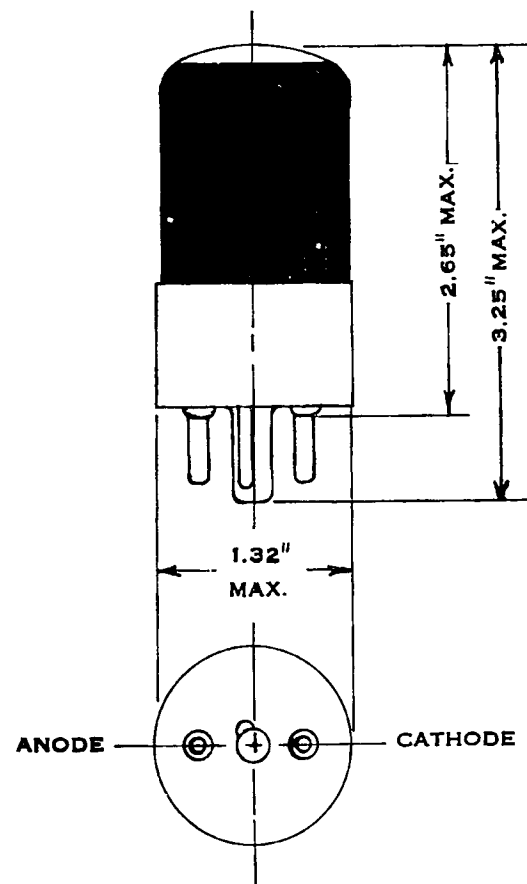
RMA BASING NO. _____

Ratings and Characteristics

Maximum Starting Voltage	225	Vdc
Maximum Operating Voltage	140	Vdc
Maximum Operating Current	35	mAdc
Minimum Operating Current	5	mAdc
Modulating Frequency Range	15-15000	cps
Useful Light Range	3500-6500	A

Typical Operating Conditions and Characteristics

Anode Supply Voltage	250	Vdc
Operating Current	30	mAdc
Series Protective Resistance (Approx.)	3000	ohms



from RMA release # 477, March 11, 1946